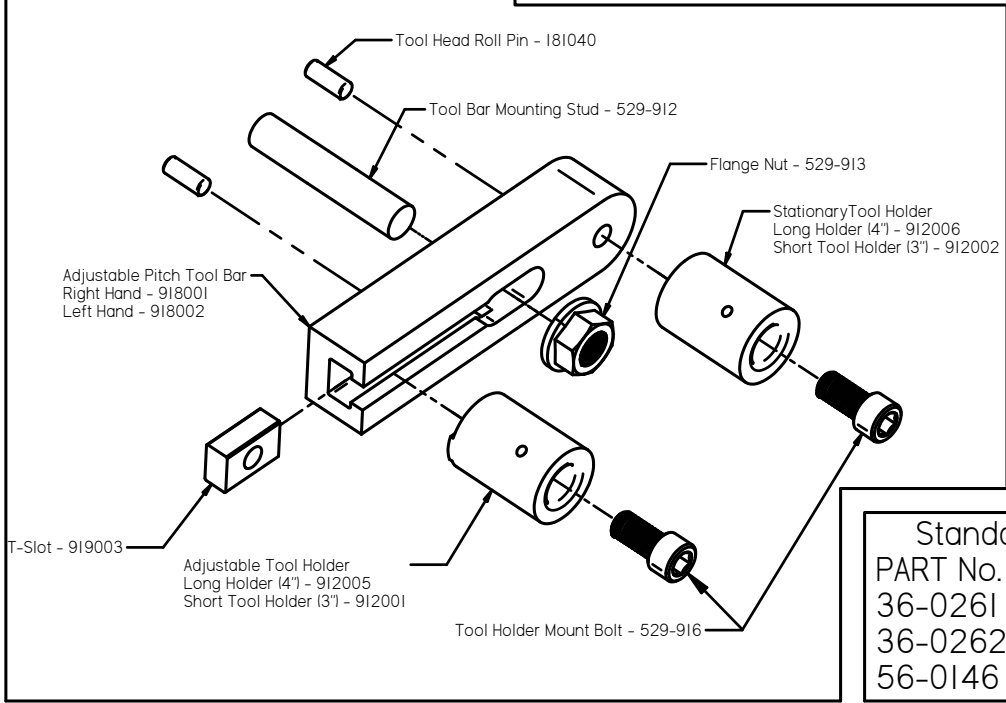
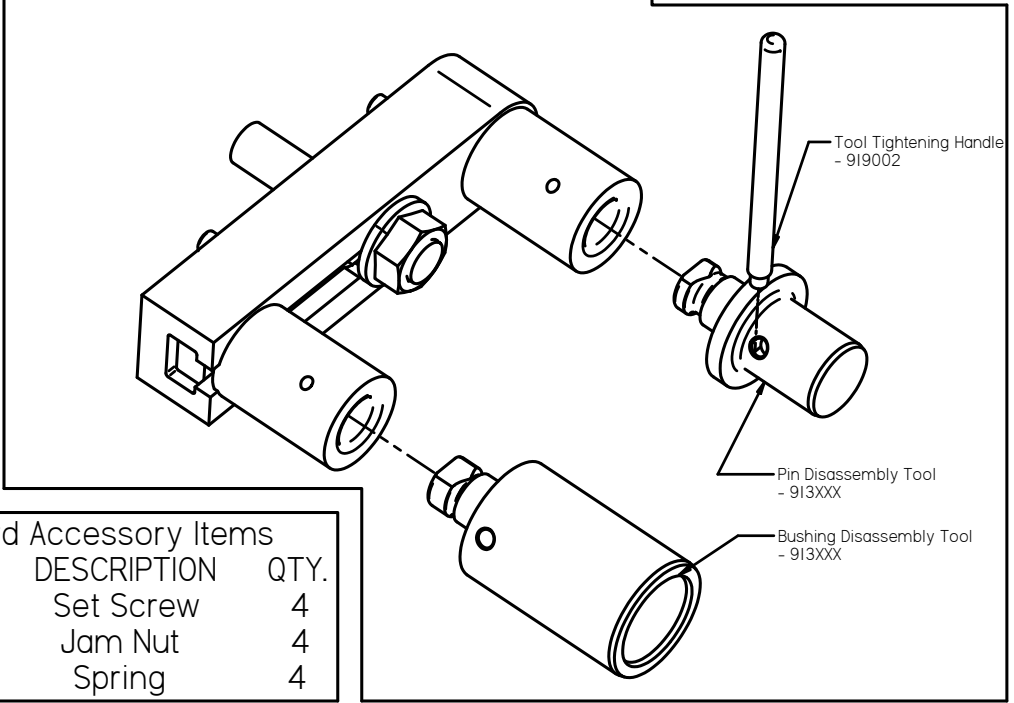


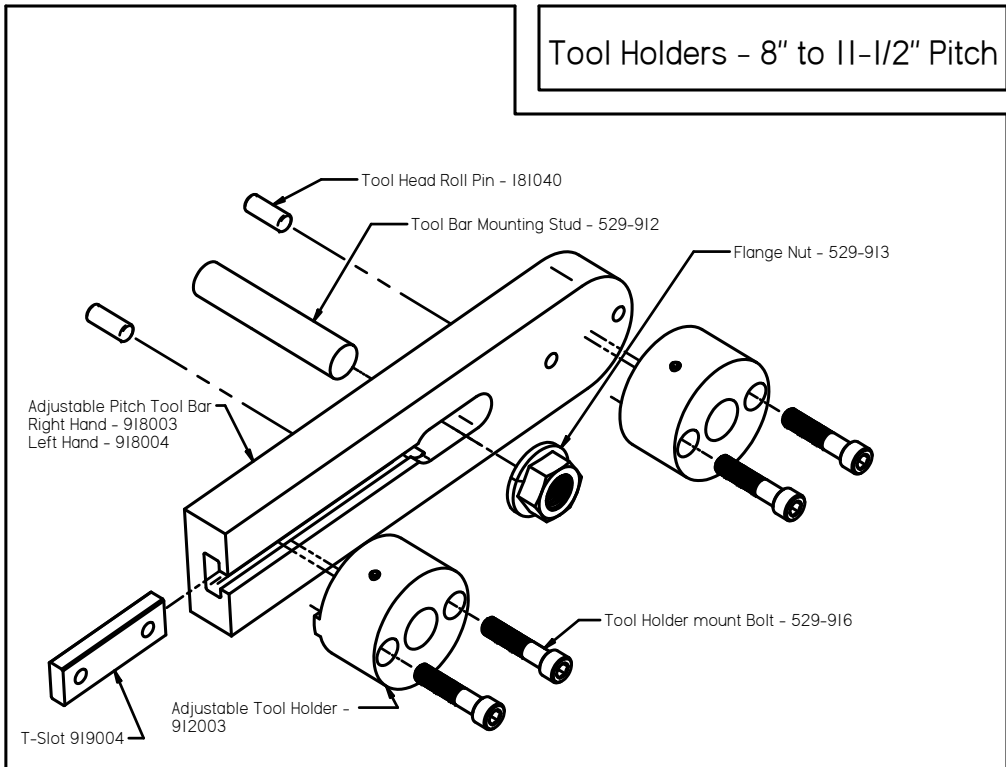
Tool Holders - 5-1/2" to 8" Pitch



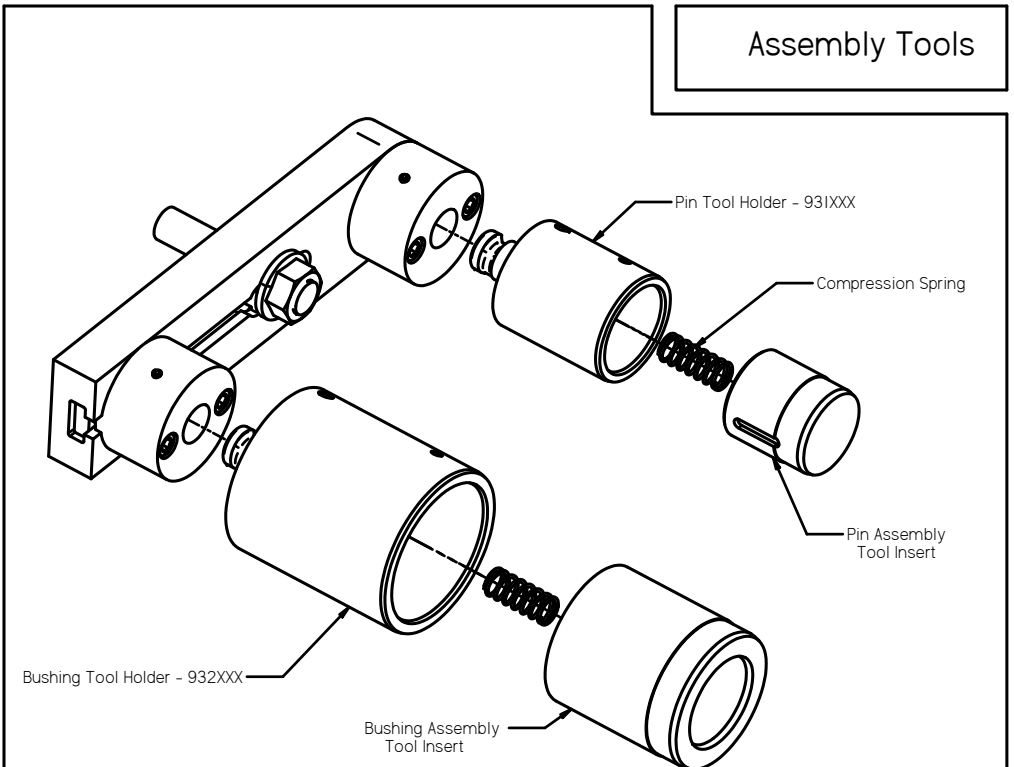
Disassembly Tools



Tool Holders - 8" to 11-1/2" Pitch



Assembly Tools





WTC Machinery LLC
93 Series Tooling

2/13/2024

MAKE	MODEL	TYPE	PIN DIA.	PIN LENGTH	BUSHING DIA.	BUSHING LENGTH	PITCH	JAW	SIDE PLATES	SHIMS (QTY)	RH TOOL BAR	LH TOOL BAR	ADJ TOOL HOLDER	STAT TOOL HOLDER	PIN DISS'Y	BUSHING DISS'Y	PIN HOLDER	PIN INSERT	Pin Assembly	BUSHING HOLDER	BUSHING INSERT	Bushing Assembly	SET SCREW	SPRING	SHIM GROUP	NOTES	WS-200 ToolBar	Tool Kit
CAT	571	SEALED	1.877	9.88	2.812	6.963	8.5	910024	910108 910208	910308	918003	918004	912003	912004	913005	914013	931040	B1903-057	935012	932002	B1903-020	936013	36-0261	56-0146	917060			93-026
CAT	572	SEALED	1.877	9.88	2.812	6.963	8.5	910024	910108 910208	910308	918003	918004	912003	912004	913005	914013	931040	B1903-057	935012	932002	B1903-020	936013	36-0261	56-0146	917060			93-026
CAT	973	SEALED	1.877	9.88	2.812	6.963	8.5	910024	910108 910208	910308	918003	918004	912003	912004	913005	914013	931040	B1903-057	935012	932002	B1903-020	936013	36-0261	56-0146	917060			93-026
CAT	977	SEALED	1.877	9.88	2.812	6.963	8.5	910024	910108 910208	910308	918003	918004	912003	912004	913005	914013	931040	B1903-057	935012	932002	B1903-020	936013	36-0261	56-0146	917060			93-026
CAT	345B	SEALED	1.877	9.88	2.812	6.963	8.5	910024	910108 910208	910308	918003	918004	912003	912004	913005	914013	931040	B1903-057	935012	932002	B1903-020	936013	36-0261	56-0146	917060			93-026
CAT	571A	SEALED	1.877	9.88	2.812	6.963	8.5	910024	910108 910208	910308	918003	918004	912003	912004	913005	914013	931040	B1903-057	935012	932002	B1903-020	936013	36-0261	56-0146	917060			93-026
CAT	D7E	SEALED	1.877	9.88	2.812	6.963	8.5	910024	910108 910208	910308	918003	918004	912003	912004	913005	914013	931040	B1903-057	935012	932002	B1903-020	936013	36-0261	56-0146	917060			93-026
CAT	D7F	SEALED	1.877	9.88	2.812	6.963	8.5	910024	910108 910208	910308	918003	918004	912003	912004	913005	914013	931040	B1903-057	935012	932002	B1903-020	936013	36-0261	56-0146	917060			93-026
CAT	D7G	SEALED	1.877	9.88	2.812	6.963	8.5	910024	910108 910208	910308	918003	918004	912003	912004	913005	914013	931040	B1903-057	935012	932002	B1903-020	936013	36-0261	56-0146	917060			93-026
CAT	983	SALT	2.003	11.437	2.996	7.36	9		C-Style Required																			
CAT	D8H	SALT	2.003	11.437	2.996	7.36	9		C-Style Required																			
CAT	D8K	SALT	2.003	11.437	2.996	7.36	9		C-Style Required																			
CAT	D9N	PPR	2	10.44	3.136	7.26	9.449	910014			918003	918004	912003	912004	913006	914048	931007	C1166-018 C1166-019	935253 935253-1	932038	B1903-302	936154	36-0261	56-0150	917060	C-Style on WS200	A5138	93-018
CAT	D9R	PPR	2	10.44	3.136	7.26	9.449	910014			918003	918004	912003	912004	913006	914048	931007	C1166-018 C1166-019	935253 935253-1	932038	B1903-302	936154	36-0261	56-0150	917060	C-Style on WS200	A5138	93-018
CAT	D9T	PPR	2	10.44	3.136	7.26	9.449	910014			918003	918004	912003	912004	913006	914048	931007	C1166-018 C1166-019	935253 935253-1	932038	B1903-302	936154	36-0261	56-0150	917060	C-Style on WS200	A5138	93-018
CAT	D10	PPR	2.252	11.974	3.809	8.27	10.25		C-Style Required																			
CAT	D10N	PPR	2.252	11.974	3.809	8.27	10.25		C-Style Required																			
CAT	D10R	PPR	2.252	11.974	3.809	8.27	10.25		C-Style Required																			
CAT	D10	SALT	2.252	12.25	3.809	8.27	10.25		C-Style Required																			
CAT	D9	SALT	2.252	12.25	3.371	8.856	10.25		C-Style Required																			
CAT	D9G	SALT	2.252	12.25	3.371	8.856	10.25		C-Style Required																			
CAT	D9H	SALT	2.252	12.25	3.371	8.856	10.25		C-Style Required																			
CAT	D11	PPR	2.252	11.97	3.557	8.28	12.5		C-Style Required																			
CAT	D11N	PPR	2.252	11.97	3.557	8.28	12.5		C-Style Required																			
CAT	D11R	PPR	2.252	11.97	3.557	8.28	12.5		C-Style Required																			
CAT	D11	SALT	2.626	13.81	4.633	9.34	12.5		C-Style Required																			
HITACHI	EX220	SEALED	1.496	8.346	2.329	5.728	7.48	800001			918001	918002	912001	912002	913028	914042	931041	B1903-115	935042	932053	B1903-336	936194	36-0261	56-0146				93-028
HITACHI	EX300	SEALED	1.75	9.65	2.624	6.24	8	910025	910114 910214		918003	918004	912003	912004	913026	914012	931054	B1903-426	935121	932054	B1903-457	936169	36-0261	56-0146				93-029
HITACHI	ZX350	SEALED	1.75	9.65	2.624	6.24	8	910025	910114 910214		918003	918004	912003	912004	913026	914012	931054	B1903-426	935121	932054	B1903-457	936169	36-0261	56-0146				93-029
HITACHI	EX400	SEALED	1.875	10	2.81	6.95	8.5	910024	910108 910208	910308	918003	918004	912003	912004	913005	914013	931040	B1903-057	935012	932002	B1903-020	936013	36-0261	56-0146		C-Style on WS200		93-026
J.D.	400G	SEALED	1.192	5.38	1.752	3.225	5.749	800005			918001	918002	912005	912006	913002	914066	931051	B1903-103	935027	932051	B1903-102	936176	36-0261	56-0146				93-002
J.D.	450	FLUSH	1.3765	6.08	2.008	3.88	6.29	800005	910104 910204		918001	918002	912005	912006	913031	914091	931049	B1903-129	935056	932050	B1903-106	936099	36-0261	56-0146				93-003
J.D.	450	RECESSED	1.376	6.08	2.008	4.38	6.29	800005	910104 910204		918001	918002	912005	912006	913031	914033	931049	B1903-129	935056	932049	B1903-599	936091	36-0261	56-0146				93-004
J.D.	450B	RECESSED	1.376	6.08	2.008	4.38	6.29	800005	910104 910204		918001	918002	912005	912006	913031	914033	931049	B1903-129	935056	932049	B1903-599	936091	36-0261	56-0146				93-004
J.D.	450C	RECESSED	1.376	6.08	2.008	4.38	6.29	800005	910104 910204		918001	918002	912005	912006	913031	914033	931049	B1903-129	935056	932049	B1903-599	936091	36-0261	56-0146				93-004
J.D.	450C	SALT	1.256	6.378	2.008	3.952	6.29	800005			918001	918002	912005	912006	913031	914064	931047	B1903-131	935014	932048	B1903-130	936173	36-0261	56-0146				93-007
J.D.	450D	SALT	1.256	6.378	2.008	3.952	6.29	800005			918001	918002	912005	912006	913031	914064	931047	B1903-131	935014	932048	B1903-130	936173	36-0261	56-0146				93-007
J.D.	450G	SALT	1.256	6.378	2.008	3.952	6.29	800005			918001	918002	912005	912006	913031	914064	931047	B1903-131	935014	932048	B1903-130	936173	36-0261	56-0146				93-007
J.D.	450H	SALT	1.256	6.378	2.008	3.952	6.29	800005			918001	918002	912005	912006	913031	914064	931047	B1903-131	935014	932048	B1903-130	936173	36-0261	56-0146				93-007
J.D.	450J	SALT	1.256	6.378	2.008	3.952	6.29	800005			918001	918002	912005	912006	913031	914064	931047	B1903-131	935014	932048	B1903-130	936173	36-0261	56-0146				93-007



WTC Machinery LLC
93 Series Tooling

2/13/2024

MAKE	MODEL	TYPE	PIN DIA.	PIN LENGTH	BUSHING DIA.	BUSHING LENGTH	PITCH	JAW	SIDE PLATES	SHIMS (QTY)	RH TOOL BAR	LH TOOL BAR	ADJ TOOL HOLDER	STAT TOOL HOLDER	PIN DISS'Y	BUSHING DISS'Y	PIN HOLDER	PIN INSERT	Pin Assembly	BUSHING HOLDER	BUSHING INSERT	Bushing Assembly	SET SCREW	SPRING	SHIM GROUP	NOTES	WS-200 ToolBar	Tool Kit
KOM	D50	SALT	1.377	7.13	2.043	5.19	6.89	800001			918001	918002	912001	912002	913032	914073	931015	B1903-499	935060	932015	B1904-500	936165	36-0261	56-0146			93-038	
KOM	D53	SALT	1.377	7.13	2.043	5.19	6.89	800001			918001	918002	912001	912002	913032	914073	931015	B1903-499	935060	932015	B1904-500	936165	36-0261	56-0146			93-038	
KOM	D58	SALT	1.377	7.13	2.043	5.19	6.89	800001			918001	918002	912001	912002	913032	914073	931015	B1903-499	935060	932015	B1904-500	936165	36-0261	56-0146			93-038	
KOM	D63E	SALT	1.377	7.13	2.043	5.19	6.89	800001			918001	918002	912001	912002	913032	914073	931015	B1903-499	935060	932015	B1904-500	936165	36-0261	56-0146			93-038	
KOM	PC100	SEALED	1.18	6.81	1.82	3.41	6.89	800001			918001	918002	912001	912002	913004	914138	931020	B1903-505	935161	932020	B1903-506	936221	36-0261	56-0146			93-039	
KOM	PC100-6	SEALED	1.18	6.81	1.82	3.41	6.89	800001			918001	918002	912001	912002	913004	914138	931020	B1903-505	935161	932020	B1903-506	936221	36-0261	56-0146			93-039	
KOM	PC120	SEALED	1.18	6.81	1.82	3.41	6.89	800001			918001	918002	912001	912002	913004	914138	931020	B1903-505	935161	932020	B1903-506	936221	36-0261	56-0146			93-039	
KOM	PC120LC-6	SEALED	1.18	6.81	1.82	3.41	6.89	800001			918001	918002	912001	912002	913004	914138	931020	B1903-505	935161	932020	B1903-506	936221	36-0261	56-0146			93-039	
KOM	PC130-6	SEALED	1.18	6.81	1.82	3.41	6.89	800001			918001	918002	912001	912002	913004	914138	931020	B1903-505	935161	932020	B1903-506	936221	36-0261	56-0146			93-039	
KOM	PC138	SEALED	1.18	6.81	1.82	3.41	6.89	800001			918001	918002	912001	912002	913004	914138	931020	B1903-505	935161	932020	B1903-506	936221	36-0261	56-0146			93-039	
KOM	PC200	SEALED	1.496	8.661	2.165	5.453	7.48	800001			918001	918002	912001	912002	913032	914071	931015	B1903-499	935060	932021	B1903-189	936086	36-0261	56-0146			93-040	
KOM	PC200-6	SEALED	1.496	8.661	2.165	5.453	7.48	800001			918001	918002	912001	912002	913032	914071	931015	B1903-499	935060	932021	B1903-189	936086	36-0261	56-0146			93-040	
KOM	PC200-7	SEALED	1.496	8.661	2.165	5.453	7.48	800001			918001	918002	912001	912002	913032	914071	931021	B1903-187	935060	932021	B1903-189	936086	36-0261	56-0146			93-040	
KOM	PC200-8	SEALED	1.496	8.661	2.165	5.453	7.48	800001			918001	918002	912001	912002	913032	914071	931021	B1903-187	935060	932021	B1903-189	936086	36-0261	56-0146			93-040	
KOM	PC220	SEALED	1.496	8.661	2.165	5.453	7.48	800001			918001	918002	912001	912002	913032	914071	931021	B1903-187	935060	932021	B1903-189	936086	36-0261	56-0146			93-040	
KOM	PC240LC-6	SEALED	1.496	8.661	2.165	5.453	7.48	800001			918001	918002	912001	912002	913032	914071	931021	B1903-187	935060	932021	B1903-189	936086	36-0261	56-0146			93-040	
KOM	PC300	SALT	1.75	9.53	2.618	6.08	8	910025	910114 910214	910314	918003	918004	912003	912004	913013	914015	931022	B1903-192	935097	932022	B1903-196	936118	36-0261	56-0146			93-041	
KOM	PC300	SEALED	1.76	9.53	2.618	6.26	8	610025			918003	918004	912003	912004	913063	914012	931019	B1903-192	935076	932019	B1903-196	936279	36-0261	56-0146			93-042	
KOM	D75	SALT	1.85	10	2.803	6.29	8.5	910024	910108 910208		918003	918004	912003	912004	913012	914006	931028	B1903-199	935096	932033	B1903-200	936138	36-0261	56-0146	C-Style on WS200		93-043	
KOM	D80	SALT	1.85	10	2.803	6.29	8.5	910024	910108 910208		918003	918004	912003	912004	913012	914006	931028	B1903-199	935096	932033	B1903-200	936138	36-0261	56-0146	C-Style on WS200		93-043	
KOM	D85	SALT	1.85	10	2.803	6.29	8.5	910024	910108 910208		918003	918004	912003	912004	913012	914006	931028	B1903-199	935096	932033	B1903-200	936138	36-0261	56-0146	C-Style on WS200		93-043	
KOM	D85PX	SALT	1.85	10	2.803	6.29	8.5	910024	910108 910208		918003	918004	912003	912004	913012	914006	931028	B1903-199	935096	932033	B1903-200	936138	36-0261	56-0146	C-Style on WS200		93-043	
KOM	D85PX-15	SALT	1.85	10	2.803	6.29	8.5	910024	910108 910208		918003	918004	912003	912004	913012	914006	931028	B1903-199	935096	932033	B1903-200	936138	36-0261	56-0146	C-Style on WS200		93-043	
KOM	D95	SALT	1.85	10	2.803	6.29	8.5	910024	910108 910208		918003	918004	912003	912004	913012	914006	931028	B1903-199	935096	932033	B1903-200	936138	36-0261	56-0146	C-Style on WS200		93-043	
KOM	PC400-3	SEALED	1.8425	10	2.925	6.476	8.5039	910024	910112 910212	910312	918003	918004	912003	912004	913012	914081	931028	B1903-199	935096	932025	B1903-583	936119	36-0261	56-0146	C-Style on WS200		935044	
KOM	PC400-5	SEALED	1.8425	10	2.925	6.476	8.5039	910024	910112 910212	910312	918003	918004	912003	912004	913012	914081	931028	B1903-199	935096	932025	B1903-583	936119	36-0261	56-0146	C-Style on WS200		935044	
KOM	PC400-6	SEALED	1.8425	10	2.925	6.476	8.5039	910024	910112 910212	910312	918003	918004	912003	912004	913012	914081	931028	B1903-199	935096	932025	B1903-583	936119	36-0261	56-0146	C-Style on WS200		935044	
KOM	PC-400 EX	SEALED	1.85	10	2.79	6.476	8.504	910024			918003	918004	912003	912004	913064	914103	931024	B1903-507	935232	932024	B1903-585	936246	36-0261	56-0146	C-Style on WS200		935045	
KOM	PC300HD-6	SEALED	1.85	9.92	2.8	6.47	9	910016	910108 910208	910308	918003	918004	912003	912004	913026	914136	931023	B1903-507		932023	B1903-508		36-0261	56-0146			935046	
KOM	PC600-6		1.92	11.41	2.87	7.9	9		C-Style Required																			
KOM	PC600-7		1.92	11.41	2.87	7.9	9		C-Style Required																			
KOM	PC600LC-6		1.92	11.41	2.87	7.9	9		C-Style Required																			
KOM	PC600LC-7		1.92	11.41	2.87	7.9	9		C-Style Required																			
KOM	D275A-2	SALT	2.244	12.614	3.622	8.195	10.25		C-Style Required																			
KOM	D375	SALT	2.244	12.614	3.622	8.195	10.25	910042	C-Style Required																			
KOM	D375-2	SALT	2.244	12.614	3.622	8.195	10.25	910042	C-Style Required																			
KOM	D375-3	SALT	2.244	12.614	3.622	8.195	10.25	910042	C-Style Required																			
KOM	D375A-1	SALT	2.244	12.614	3.622	8.195	10.25	910042	C-Style Required																			
KOM	PC1000	SALT	2.244	12.614	3.622	8.744	10.25	910042	C-Style Required																			
KOM	PC1000-1	SALT	2.244	12.614	3.622	8.195	10.25	910042	C-Style Required																			



WTC Machinery LLC
93 Series Tooling

2/13/2024

MAKE	MODEL	TYPE	PIN DIA.	PIN LENGTH	BUSHING DIA.	BUSHING LENGTH	PITCH	JAW	SIDE PLATES	SHIMS (QTY)	RH TOOL BAR	LH TOOL BAR	ADJ TOOL HOLDER	STAT TOOL HOLDER	PIN DISS'Y	BUSHING DISS'Y	PIN HOLDER	PIN INSERT	Pin Assembly	BUSHING HOLDER	BUSHING INSERT	Bushing Assembly	SET SCREW	SPRING	SHIM GROUP	NOTES	WS-200 ToolBar	Tool Kit	
KOM	PC1000SE-1	SALT	2.244	12.614	3.622	8.195	10.25	910042	C-Style Required																				
KOM	PC600	SEALED	2.185	12.614	3.445	8.504	10.25		C-Style Required																				
KOM	PC6550-5	SEALED	2.185	12.614	3.445	8.504	10.25		C-Style Required																				
KOM	PC700	SEALED	2.185	12.614	3.445	8.504	10.25		C-Style Required																				
KOM	PC710	SEALED	2.185	12.614	3.445	8.504	10.25		C-Style Required																				
KOM	PC750SE-6	SEALED	2.185	12.614	3.445	8.504	10.25		C-Style Required																				
KOM	PC800	SEALED	2.185	12.614	3.445	8.504	10.25		C-Style Required																				
KOM	PC1100LC-6	DRY TRACK	2.36	12.77	3.87	8.88	11.03		C-Style Required																				
KOM	PC1100LC-6	DRY TRACK	2.36	12.77	3.87	8.88	11.03		C-Style Required																				
KOM	PC1100SP-6	DRY TRACK	2.36	12.77	3.87	8.88	11.03		C-Style Required																				
KOM	D375A-2	SALT	2.362	12.772	3.878	8.366	11.035	910028	C-Style Required																				
KOM	D375A-3	SALT	2.362	12.772	3.878	8.366	11.035	910028	C-Style Required																				
KOM	D475	SALT	2.756	14.449	4.449	9.606	12.5	910005	C-Style Required																				
KOM	D575A-2	SALT	2.913	17.323	4.961	10.669	12.5	910005	C-Style Required																				
KOM	D575A-2	SALT	2.913	17.323	4.961	10.669	12.5	910005	C-Style Required																				